

iDS-TCM403-B(I)

High Performance ANPR Bullet Camera

**DarkFighter**

**DeepinView**



- 1/1.8" progressive scan CMOS
- 50 Hz: 2688 × 1520 @ 25 fps
- 60 Hz: 2688 × 1520 @ 30 fps
- Color: 0.001 Lux @ (F1.2, AGC ON),  
0.0005 Lux with IR
- H.265, H.264
- 140 dB WDR
- 3D DNR
- Alarm I/O
- 1 RS-485 interface
- IR range up to 100 m
- Two defined streams
- Built-in microSD/TF card, up to 128 GB
- License plate recognition
- IP67, IK10



### Superiority

- Dedicated camera for ANPR
  - HD resolution
  - Integrated IR
  - Professional shutter speed control
- Built-in ANPR engine, equipped with AI algorithm



### Application

- Vehicle control
- Traffic monitoring
- Toll collection
- Security

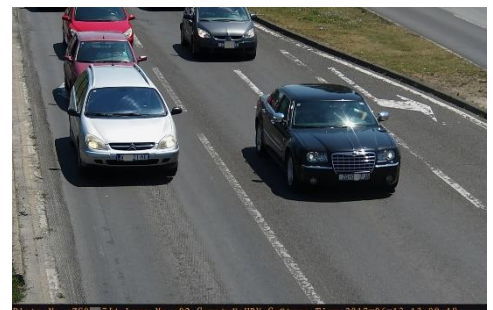
### Scenarios

- Tunnel
- Toll station
- Urban road
- Parking entrance



### Smart Function

- Support vehicle model classification
- Support vehicle color identification
- Support no-plate vehicle capture
- Support driving direction detection
- Support motorcycle capture



## Specification

<b>Camera</b>	<b>iDS-TCM403-B(I)/0411</b>	<b>iDS-TCM403-B(I)/0832</b>
Image Sensor	1/1.8" progressive scan CMOS	
Min. Illumination	Color: 0.001 Lux @ (F1.2, AGC ON), 0.0005 Lux with IR	
Shutter Speed	1/25 s to 1/100,000 s	
Slow Shutter	Supported	
Day & Night	IR cut filter	
Digital Noise Reduction	3D DNR	
WDR	140 dB	
<b>Lens</b>		
Focal Length	4-11 mm	8-32 mm
Aperture	F1.38	F1.63-1.8
Focus	Auto	
Auto-iris	DC drive	
FOV	Horizontal FOV: 114.7° to 41.9°; Vertical FOV: 59.4° to 23.6°; Diagonal FOV: 141.5° to 48.1°	Horizontal FOV: 39.7° to 15.9°; Vertical FOV: 22.3° to 9.1°; Diagonal FOV: 45.8° to 18.1°
<b>IR</b>		
IR Range	Up to 50 m	Up to 100 m
Wavelength	850 nm	
<b>Compression Standard</b>		
Video Compression	Main stream: H.265/H.264/MJPEG Sub-stream: H.265/H.264/MJPEG Third Stream: H.265/H.264/MJPEG	
H.264 Type	Baseline profile/Main profile/High profile	
H.265 Type	Baseline profile/Main profile/High profile	
Video Bit Rate	32 Kbps to 16 Mbps	
Audio Compression	G.711/G.722.1	
Audio Bit Rate	8Kbps (G.711) /16Kbps (G.722.1)	
<b>Smart Feature</b>		
Recognition	License Plate Recognition	
Smart Function	Vehicle type classification, color identification, no-plate vehicle capture, vehicle driving direction detection	
<b>Road Traffic and Vehicle Detection</b>		

Countries/Regions	<p><b>Middle East:</b> The United Arab Emirates (Abu Dhabi, Ajman, Dubai, Fujairah, Ras Al Khaimah, Sharjah and Umm Al Quwain), Qatar, Iran, Iraq, Egypt, Jordan, Kuwait, Saudi Arabia, Pakistan, Oman, Lebanon, Bahrain</p> <p><b>Africa:</b> Nigeria, Kenya, Ivory Coast, South Africa, Tanzania, Mauritius, Morocco, Tunisia, Sierra Leone, Zambia, Ghana, Zimbabwe, Uganda, Angola, Ethiopia, Senegal, Algeria</p> <p><b>Asia-Pacific:</b> Australia, New Zealand, Indonesia, Malaysia, Singapore, South Korea, Thailand, Vietnam, the Philippines, Hong Kong, Macao, Taiwan, Burma, India, Mongolia, Cambodia, Laos, Bangladesh</p> <p><b>America:</b> The United States of America, Canada, Argentina, Chile, Paraguay, Uruguay, El Salvador, Bolivia, Colombia, Brazil, Ecuador, Peru, Mexico, Panama, Costa Rica, Trinidad and Tobago, the Dominican Republic, Guatemala</p> <p><b>Europe:</b> Turkey, Croatia, Slovakia, Czech Republic, Bulgaria, the Republic of North Macedonia, Hungary, Greece, Poland, France, Netherlands, Switzerland, Spain, the UK, Ireland, Germany, Italy, Austria, Israel, Palestinian State, Belgium, Luxembourg, Albania, Bosnia and Herzegovina, The Republic of Serbia, Montenegro, The Republic of North Macedonia</p> <p><b>Russian-Speaking Regions:</b> Azerbaijan, Belarus, Kazakhstan, Lithuania, Georgia, Estonia, Latvia, Russia, Ukraine, Moldova, Uzbekistan, Kyrgyzstan, Armenia</p>
Accuracy (Under recommended installation and lighting conditions)	<p>Capture rate &gt; 99%</p> <p>Driving direction recognition accuracy &gt; 98.5%</p> <p>LPR accuracy &gt; 98%</p> <p>Mistaken capture rate &lt; 2%</p> <p><b>European and Russian-Speaking Regions:</b> LPR accuracy &gt; 98%</p> <p>Country/Region recognition accuracy &gt; 95%</p>
No License Plate Detection	Supported
Target Detection	Motor vehicle, non-motor vehicle, pedestrian
Motorcycle LPR	Supported
Vehicle Type	Car/Van/Bus/Truck/Light Truck/SUV_MPV/Pickup/Motorcycle/Tricycle
Vehicle Color	Red, yellow, green, blue, pink, purple, cyan, brown, white, grey, black <b>IR Model: Recognizable at daytime only</b>
Vehicle Manufacturer	84 manufacturers: Hyundai, Toyota, KIA, Honda, Volkswagen, Benz, Nissan, Ford, Isuzu, BMW, Chevrolet, Mitsubishi, Renault, Opel, Suzuki, Skoda, Daewoo, Audi, Mazda, GAC HINO, Peugeot, SsangYong, Citroen, Fiat, Scania, MAN, Volvo, Lexus, Seat, Land Rover, Daihatsu, Dongwo, Subaru, Iveco, MINI, JEEP, Porsche, Chery, Dodge, Chrysler, Acura, Alfa Romeo, Great Wall, Infiniti, Smart, Saic Maxus, JAC, Jaguar, GMC, Lincoln, JMC, SAAB, FAW, Yutong, Guangzhou Yunbao, Joylong, Geely, Cadillac, JBC, An'kai, Haima, Foton, King Long, Dongfeng, Geely-Emgrand, Perodua, UD, BYD, Renault Samsung, Proton, HICOM, Malaysia_Unknown 1, Hyundai-Rohens, SsangYong-Old Version, Equus-Old Version, CNHTC, Rolls-Royce, Beiben Truck, Haval, Hino, Kia-Borrego, Chang'an, Alfa, FORO
Capture Speed Range	5 to 120km/h
<b>Image</b>	
Max. Resolution	2688 × 1520
Main Stream	50 Hz: 25 fps (2688 × 1520, 1920 × 1080, 1280 × 720, 704 × 576, 352 × 288) 60 Hz: 30 fps (2688 × 1520, 1920 × 1080, 1280 × 720, 704 × 576, 352 × 288)
Sub-Stream	50 Hz: 25 fps (1920 × 1080, 1280 × 720, 704 × 576, 352 × 288) 60 Hz: 30 fps (1920 × 1080, 1280 × 720, 704 × 576, 352 × 288)

Third Stream	50 Hz: 25 fps (1280 × 720, 704 × 576, 352 × 288) 60 Hz: 30 fps (1280 × 720, 704 × 480, 640 × 480)
Image Enhancement	BLC, HLC, 3D DNR
Image Settings	Rotation mode, saturation, brightness, contrast, sharpness, AGC, and white balance are adjustable via client software or web browser.
SVC	H.264 and H.265 encoding
Day/Night Switch	Auto/Scheduled/Triggered by alarm in
Picture Overlay	Logo picture can be overlaid on video with 128 × 128 in 24bit bmp format
<b>Network</b>	
Network Storage	microSD/TF card (128 GB), local storage and CVR, NVR, ANR
Alarm Trigger	HDD Error, Network Disconnected, IP Address Conflicted, Vehicle Detector Exception, Traffic Light Detector Exception
Protocols	TCP/IP, HTTP, HTTPS, FTP, DNS, RTP, RTSP, RTCP, NTP, IPv6, UDP
Security Measures	Password protection, HTTPS encryption, digest authentication for HTTP/HTTPS, digest authentication for ONVIF (Version 2.1)
General Function	One-key reset, three streams, heartbeat, password protection, watermark
API	ONVIF (Version 2.1, PROFILE S, PROFILE G), ISAPI, SDK
Simultaneous Live View	Up to 6 channels
User/Host	Up to 32 users 3 user levels: administrator, operator, and user
Client	iVMS-4200 (Only for video live view and LPR information search), HikCentral Master, HikCentral Master Lite, HikCentral Pro
Web Browser	IE8-IE11, plug-in free live view supported
<b>Interface</b>	
Audio	Supported
Communication Interface	1 RJ45 10M/100M/1000M Ethernet interface 1 RS-485 interface 1 Wiegand interface
Alarm	1 input interface, 1 output interface, 2 relays
Video Output	Network
On-Board Storage	Built-in microSD/TF card, up to 128 GB
Reset Button	Supported
<b>General</b>	
Operating System	Linux
Certifications	CE, FCC, CB, UL, IP67, IK10
Operating Conditions	Temperature: -30 °C to +70 °C (-22 °F to +158 °F) , Humidity: 95% or less (non-condensing)
Power Supply	12 VDC to 24 VDC ± 20%, PoE (802.3at, class 4)
Protection Level	IP67, IK10
Material	Aluminum alloy
Dimensions	428.5 × 120 × 132.8 mm
Weight	Camera: approx. 3.12 ± 0.5 kg (6.88 ± 1.1 lb)
Power Consumption	Max. 12 W

\* Listed resolutions are only selectable options. It does not mean that all streams can work at their maximum resolution at the same time.

## Available Model

iDS-TCM403-BI/0832

iDS-TCM403-B/0832

iDS-TCM403-BI/0411

iDS-TCM403-B/0411

*\*Please decide whether to use anti-corrosion devices or matched hoops and brackets according to the actual working environment.*

## Application Scenario



Urban Road



Mixed Road



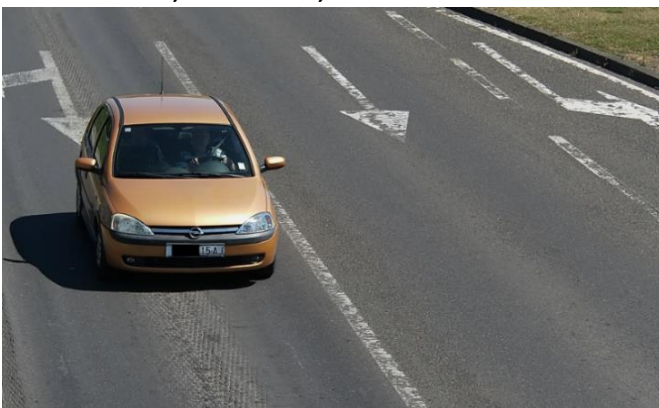
Entrance & Exit



Highway Toll Station

## Application Performance

- Urban road, mixed road, etc.



Day



Night





Day



Night

• Entrance & exit, highway toll station, etc.

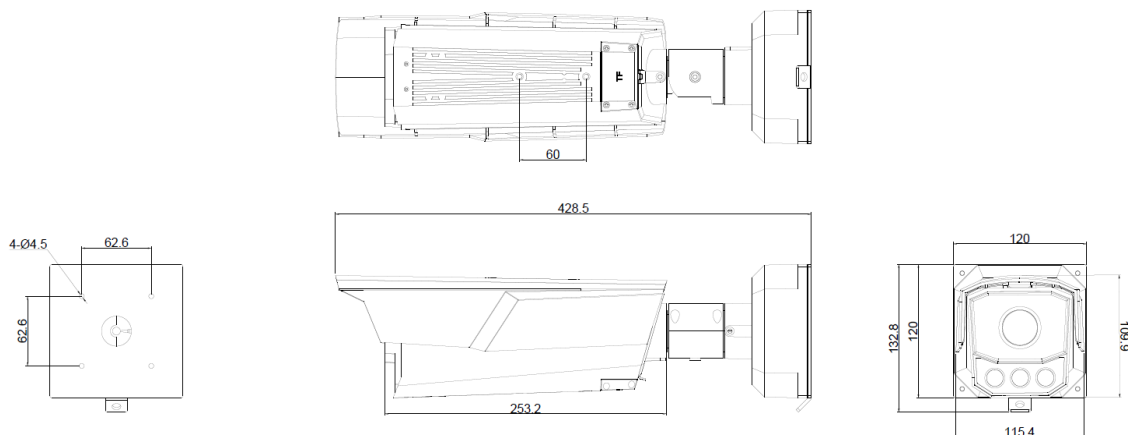


Day



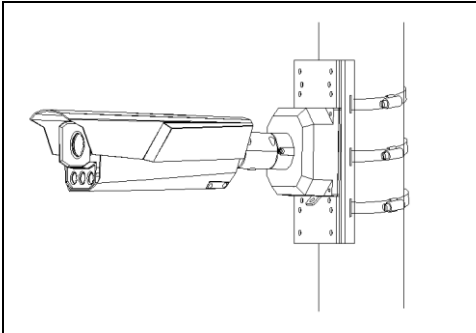
Night

Dimension



Unit: mm

## Accessory



**Hoop Bracket**  
DS-1275ZJ/HWB

Distributed by



## HIKVISION®

### Headquarters

No.555 Qianmo Road, Binjiang District,  
Hangzhou 310051, China  
T +86-571-8807-5998  
overseasbusiness@hikvision.com

**Hikvision USA**  
T +1-909-895-0400  
sales.usa@hikvision.com

**Hikvision Australia**  
T +61-2-8599-4233  
salesau@hikvision.com

**Hikvision India**  
T +91-22-28469900  
sales@pramahikvision.com

**Hikvision Canada**  
T +1-866-200-6690  
sales.canada@hikvision.com

**Hikvision Thailand**  
T +662-275-9949  
sales.thailand@hikvision.com

**Hikvision Europe**  
T +31-23-5542770  
sales.eu@hikvision.com

**Hikvision Italy**  
T +39-0438-6902  
info.it@hikvision.com

**Hikvision Brazil**  
T +55 11 3318-0050  
Latam.support@hikvision.com

**Hikvision Turkey**  
T +90 (216)521 7070- 7074  
sales.tr@hikvision.com

**Hikvision Malaysia**  
T +601-7652-2413  
sales.my@hikvision.com

**Hikvision UK & Ireland**  
T +01628-902140  
sales.uk@hikvision.com

**Hikvision South Africa**  
Tel: +27 (10) 0351172  
sale.africa@hikvision.com

**Hikvision France**  
T +33(0)1-85-330-450  
info.fr@hikvision.com

**Hikvision Kazakhstan**  
T +7-727-9730667  
nikia.panfilov@hikvision.ru

**Hikvision Vietnam**  
T +84-974270888  
sales.vt@hikvision.com

**Hikvision UAE**  
T +971-4-4432090  
salesme@hikvision.com

**Hikvision Singapore**  
T +65-6684-4718  
sg@hikvision.com

**Hikvision Spain**  
T +34-91-737-16-55  
info.es@hikvision.com

**Hikvision Tashkent**  
T +99-87-1238-9438  
uzb@hikvision.ru

**Hikvision Hong Kong**  
T +852-2151-1761  
info.hk@hikvision.com

**Hikvision Russia**  
T +7-495-669-67-99  
saleru@hikvision.com

**Hikvision Korea**  
T +82-(0)31-731-8817  
sales.korea@hikvision.com

**Hikvision Poland**  
T +48-22-460-01-50  
info.pl@hikvision.com

**Hikvision Indonesia**  
T +62-21-2933759  
Sales.Indonesia@hikvision.com

**Hikvision Colombia**  
sales.colombia@hikvision.com