

User Manual for LS-MJ300/500

Door Access Reader

Technical parameter:

Working voltage: DC12V

Unlocking current: less than 1000mA

Static current: less than 60mA

User capacity: unlimited

Card-reading distance: 5cm

Card type: T5557/Mifare S50

Working temperature: -10°C~70°C

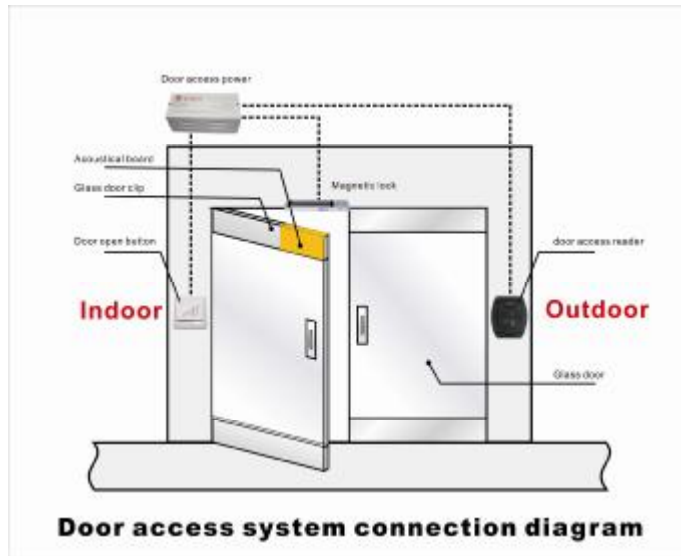
Working humidity: 10%~90%

Dimension: 128x113x30mm

Software: Any version doors lock software of RF/MF-NK series.

Installation instruction:

I. Door access system connection diagram (diagram 1)



II. Wire requirement

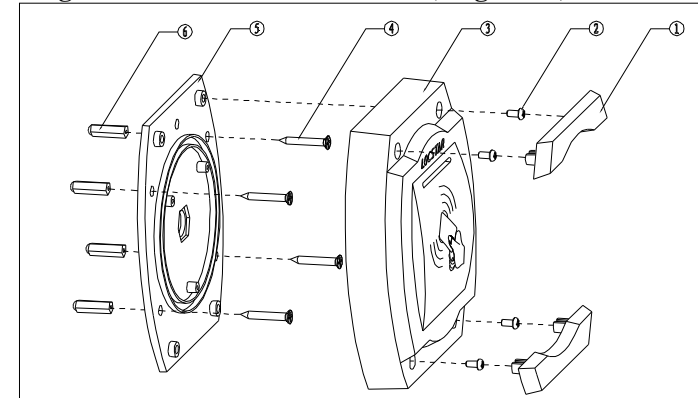
1.1 Door access power input wire (AC220V) adopts the 2 cored wires (RVV2X1.5 MM)

1.2 Door access reader and door access power connection wire (DC 12V) adopt 2 groups of 2 cored cables (RVV2X0.75MM),

1.3 Electronic lock, door release button and door access power connection wire (DC12V) adopt 2 cored cables (RVV2X0.5 MM).

III. Installation diagram of door access reader

1. Installation diagram of door access read head (diagram 1)

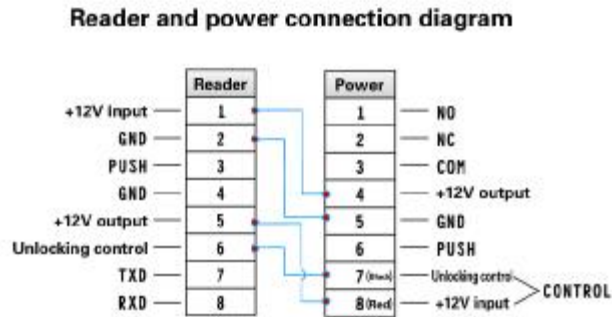


| No. | Name | Quantity |
|-----|--|----------|
| 1 | Screw decoration cap | 2 |
| 2 | Cross pan head metric screws GB/T818 | 4 |
| 3 | Door access reader casing | 1 |
| 4 | Cross countersunk tapping wooden screw | 4 |
| 5 | Rear cover of door access reader | 1 |
| 6 | Wall plugs | 4 |

2. Installation instruction about the door access reader

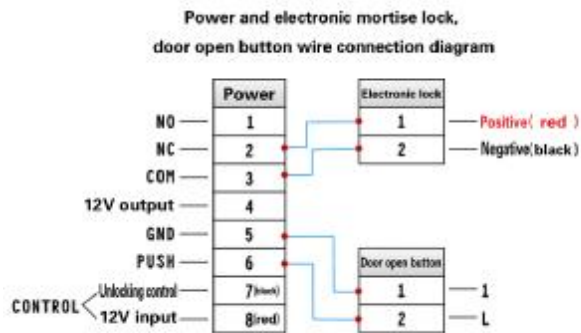
Stick open template at the reader installation position and cut holes as required, remove screw decoration cap on the door access reader, then remove the fixed door access casing and 4 fixed screws on the rear cover, take off the cover, and fix it on the wall with the attached wall plugs and screws. Connect with power supply and control wire, then fix the door access reader casing on the rear cover; watch out the vertical direction of the read head. After that, cover the screw decoration cap.

IV. Reader and power connection diagram (e.g. diagram 2)



(Diagram 2)

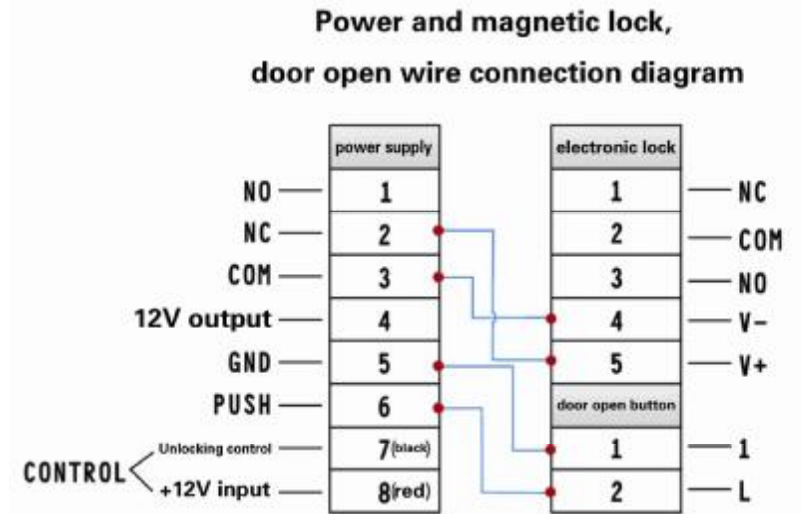
V. Power and electronic mortise lock, door open button wire connection diagram (e. g. diagram 3)



(Diagram 3)

Power and electronic mortise lock, door open button wire connection diagram

VI. Power and magnetic lock, door open wire connection diagram (e.g. diagram 4)



(Diagram 3)

Note: before power on, confirm the power voltage (DC12V) and the positive and negative of the power.

Operation instructions:

I. Setting methods of the reader

1. LS-MJ300 door access reader setting method

After power on the door access and long bright for the red light, touch to set authorization card, lock card door access password and time.

2. LS-MJ500 door access reader setting method

2.1 Floors door access setting

After power on the door access and long bright for the red light, touch setting authorization card, floor channel set card and clock card to set the door access password, floor and time.

2.2 building access setting

After power on the door access and long bright for the red light, touch setting authorization card, building channel setting card and clock setting card to set door access control password and building No and time.

II. Card authority instruction

After setting door lock authorization and clock, all valid total control card, emergency card, floor number card, foreman card, floors card, cleaning card and customer card that subject to the system authorization can open the door access.

Master card : not subject to the card valid period restriction

Emergency card: not subject to the card valid period restriction.

Floor number card: subject to the card valid period restriction.

Foreman card: subject to the card valid period restriction. (With the card for LS-MJ500)

Floors card: subject to the card valid period restriction.

Cleaning card: subject to the card valid period restriction

Guest card : ublic to the card valid period restriction

III. Usage of read head

Put the effective door open card into read head induction area, read head buzzer will sound once, with long-lit green light. Door will open in 5s.

IV. Password removing

A. Touch directly the system's removing authorization card, 2 long sounds, after 2 flashes of green light, password was removed.

B. Force removing: open door access read head casing, press the removing switch on line board with a sound and green light flashes once, 2 long sounds after 10s and 2 green light flashes, password was removed.