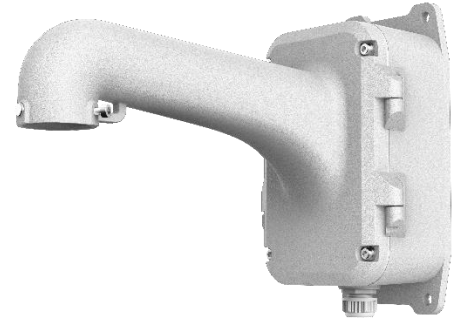


## DS-1604ZJ-BOX

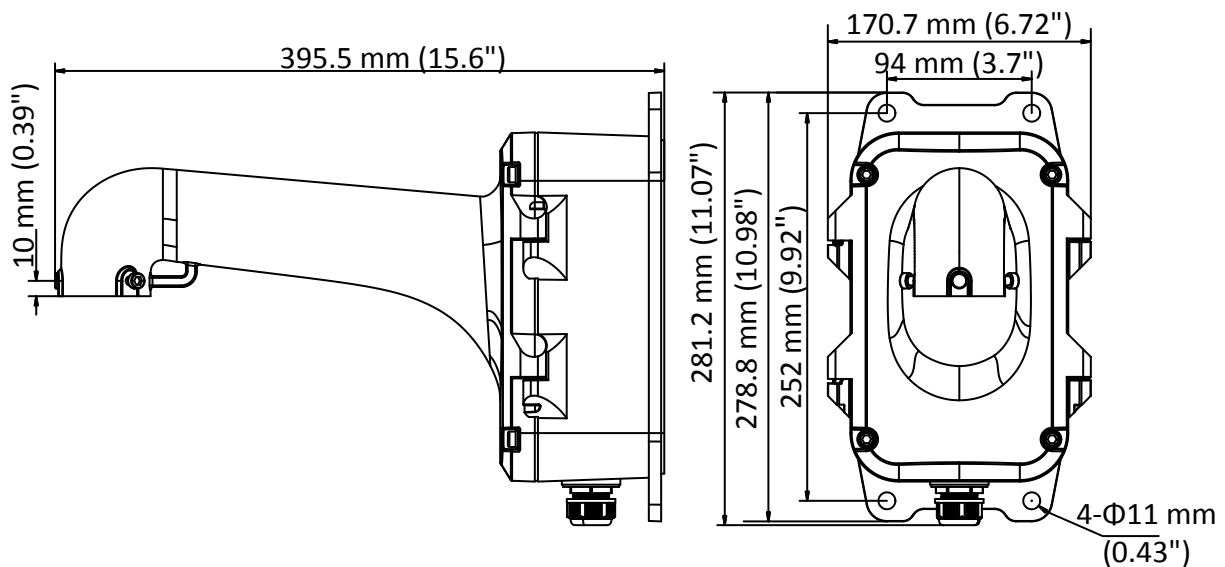
### Wall Mounting Bracket for Speed Dome



#### Feature

- Wall mounting bracket with the junction box
- Aluminum alloy material with surface spray treatment
- Supports bottom outlet and back outlet
- Able to place the power adapter (AC 24 V, 3 A) in the junction box
- The hook for safety rope facilitates speed dome's installation

#### Dimension



#### Available Model

DS-1604ZJ-BOX

#### Parameter

Model	DS-1604ZJ-BOX
Parameters	Wall Mounting Bracket for Speed Dome
Appearance	Hikvision White
Material	Aluminum Alloy
Dimension	395.5 mm × 281.2 mm × 170.7 mm (15.6" × 11.07" × 6.72")
Weight	2.15 Kg (4.74 lb.)

#### Note

- The bracket should be installed on the flat surface.
- Waterproof rubber is necessary for the outdoor application.
- The wall must be capable of supporting at least 3 times as much as the total weight of the speed dome and the bracket.
- The bracket's maximum load capacity is 10 Kg (22 lb.).